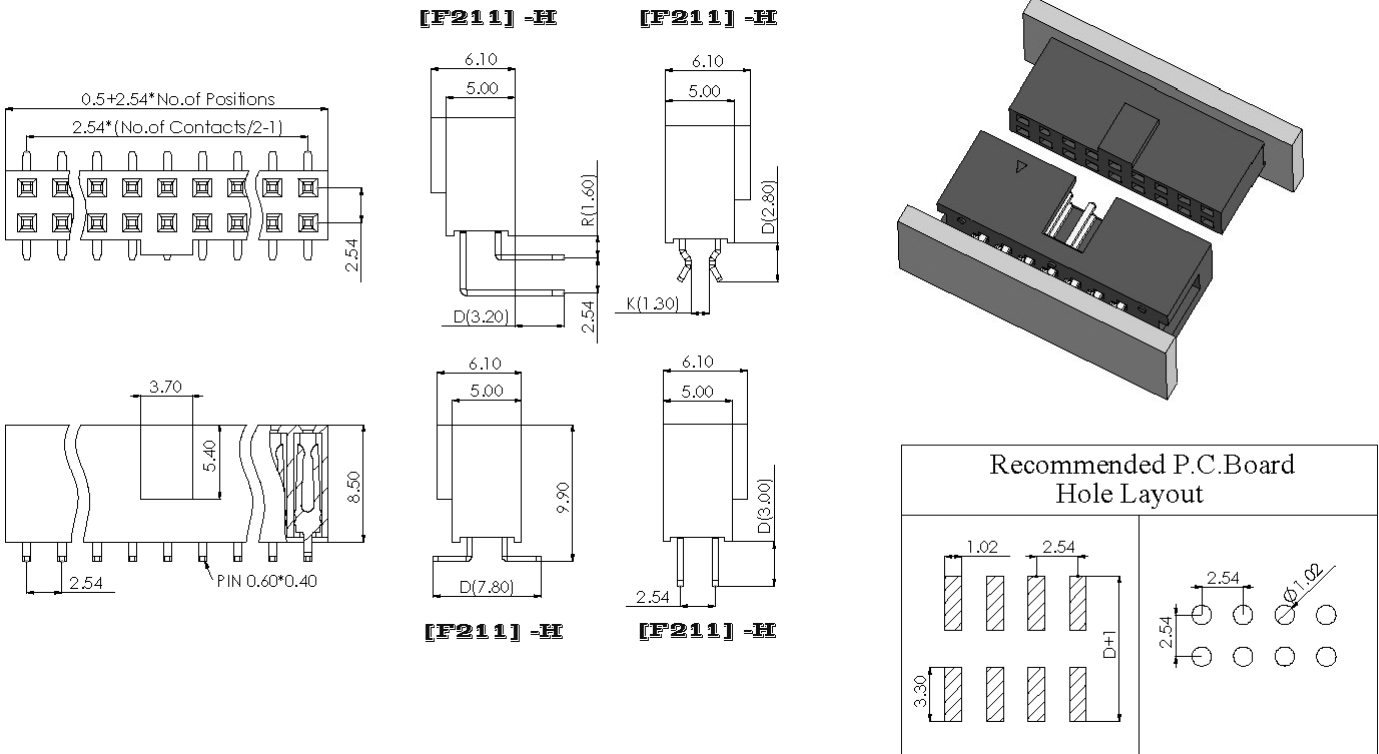
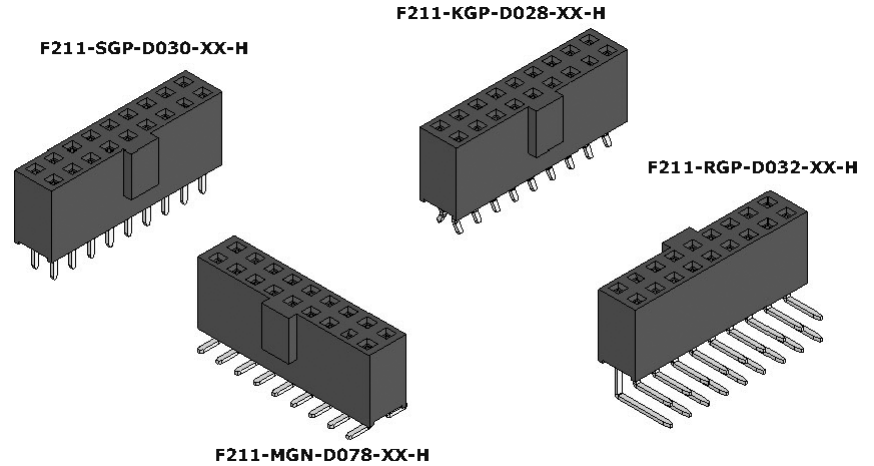


## Female Header 2.54 mm

90° & 180° & SMT Series

### SPECIFICATIONS

Current Rating: 3 A  
 Insulator Resistance: 5000 MOhm min.  
 Contact Resistance: 20 mOhm max.  
 Dielectric Withstanding: AC 1000 V  
 Operating Temperature: -40°C ~ +105°C  
 Soldering Temperature: 260°C for 3~5 sec. max  
 Contact Material: Brass  
 Insulator Material: Polyester, UL 94V-0  
 Standard: P.B.T.  
 Finish: Tin, Gold or Duplex Plated  
 Standard: Gold Flash all over  
 Note: Duplex Plating: Gold Plated on contact area, Tin on solder area



### How to order

Unit: mm

Series	Connector Type	Contact Plating	Material	Pin Length mm	Number of Contacts	Other
<b>FXXX</b>	<b>- X</b>	<b>X</b>	<b>X</b>	<b>- DXXX</b>	<b>- XX</b>	<b>- H</b>
F211:F/H 2.54 H:8.50 Dual Row	S: Straight Type M: SMT Type R: Right Angle R: 1.6 K: "K" Type K: 1.3 ...	G: Gold Flash T: Tin Plated A: 10U" Gold B: 15U" Gold C: 20U" Gold ⊙ Duplex Plating D: Gold Flash/Tin (Standard: G)	P: PBT N: Nylon-6T (Standard: P)	S-D D030 M-D D078 R-D D032 K-D D028	(04 TO 80 Contacts)	H: With polarization key